

AG SERIES MICRO FANS & BLOWERS





Today's high technology industries require cooling products that are increasingly smaller, lightweight, have low power consumption, and reduce high heat generation.

Axial Groove (**AG**) Series Micro Fans and Blowers are ideal thermal cooling solutions for applications that have limited space with restricted power budgets. They are energy efficient, manage heat generation effectively, and have a long operating life.

AXIAL AIR-GAP COOLING

Traditional fans and blowers include silicon steel motors with radial air-gaps. Miniaturization is difficult, operation is inefficient, and power loss is greater at higher temperatures.

By using specially grooved bearings with Axial Air-Gap Technology, AG Series Micro Fans and Blowers are smaller and more energy efficient than traditional fans and blowers and have almost no power loss at higher temperatures.

STANDARD FEATURES & SPECIFICATIONS

- 2.4V~5V
- Axially Grooved Bearings
- Operating Temp: -10°C to +60°C
- Operating Life: 20,000 hours
- Locked Rotor, Auto Restart, & Polarity Protection
- IP58 Dust & Moisture Protection
- RoHS Compliant

APPLICATIONS

- Portable medical devices*
- Portable computers and electronics*
- LED lighting*
- Smartbooks and tablets*
- Portable HDD*
- IP cameras*
- High-speed memory modules*
- CCTV security surveillance systems*
- Pocket projectors*
- Micro fuel cells*
- GPS devices*
- Portable gas/particle detectors*
- Portable plasma generators*
- Portable air-quality monitoring devices*
- Ventilation and defrosting*
- Mask/Helmet/Glass ventilation*
- Solar and wind energy devices*

AG Series Micro Fans and Blowers are ideal alternatives to traditional fans and blowers and can be customized to satisfy applications that require an effective miniature cooling solution.

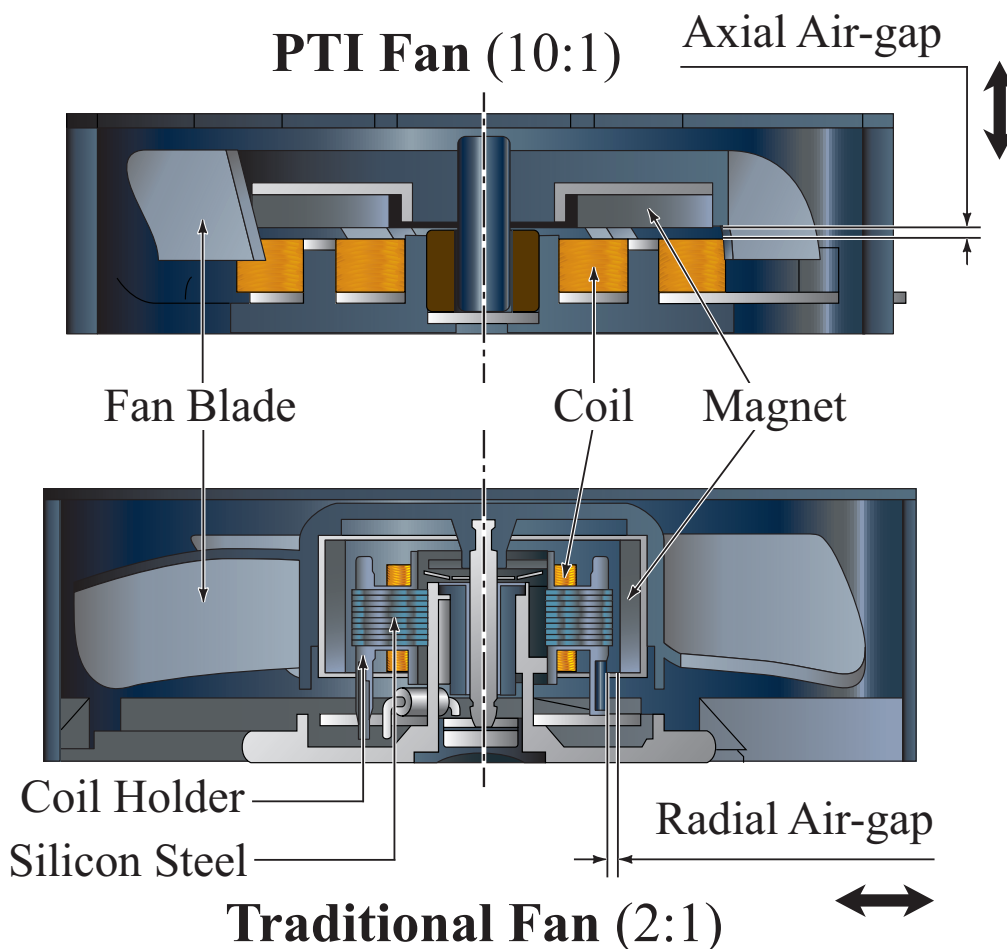
For additional information or for assistance with your application, contact us at sales@pelonistech.com.

MICRO FANS

MODEL NUMBER	SIZE mm (in)				VOLTAGE (V)	AIRFLOW (P)		PRESSURE (Q)		NOISE (dBA)	PAGE
	DIAMETER	LENGTH	WIDTH	HEIGHT		(CFM)	(m ³ /min)	(inH ₂ O)	(mmAq)		
AGA135	-	13 (0.51)	13 (0.51)	5 (0.20)	3.0~3.3	0.15~0.16	0.004~0.005	0.067~0.078	1.70~1.98	15~16	5
AGA154	-	15 (0.59)	15 (0.59)	4 (0.16)	3.3~5.0	0.30~0.40	0.009~0.011	0.059~0.110	1.50~2.80	25~35	6
AGA154U	-	15 (0.59)	15 (0.59)	4 (0.16)	2.4	0.12	0.003	0.027	0.69	15	7
AGA178	-	17 (0.67)	17 (0.67)	8 (0.31)	3.3~5.0	0.67~0.95	0.019~0.027	0.134~0.270	3.42~6.86	12~18	8
AGA184	-	18 (0.70)	18 (0.70)	4 (0.16)	3.3~5.0	0.65~0.90	0.018~0.026	0.077~0.138	1.95~3.50	25~35	9
AGA308	30 (1.18)	-	-	8 (0.31)	3.3~5.0	1.89~2.60	0.054~0.074	0.054~0.103	1.38~2.62	17~22	10

MICRO BLOWERS

MODEL NUMBER	SIZE mm (in)				VOLTAGE (V)	AIRFLOW (P)		PRESSURE (Q)		NOISE (dBA)	PAGE
	DIAMETER	LENGTH	WIDTH	HEIGHT		(CFM)	(m ³ /min)	(inH ₂ O)	(mmAq)		
AGB154	-	15 (0.59)	15 (0.59)	4 (0.16)	3.0~3.3	0.18~0.19	0.005	0.084~0.097	2.12~2.47	17~19	11
AGB184	-	18 (0.70)	18 (0.70)	4 (0.16)	3.3~5.0	0.14~0.20	0.004~0.006	0.096~0.203	2.44~5.16	25~35	12
AGB204	-	20 (0.79)	20 (0.79)	4 (0.16)	3.3~5.0	0.27~0.38	0.008~0.011	0.126~0.235	3.21~5.96	15~20	13
AGB208	-	26 (1.02)	20 (0.79)	8 (0.31)	3.3~5.0	0.38~0.57	0.011~0.016	0.084~0.186	2.14~4.73	25~35	14
AGB208NL	-	20 (0.79)	20 (0.79)	8 (0.31)	3.3~5.0	0.45~0.66	0.013~0.019	0.067~0.146	1.71~3.70	10~14	15
AGB208N	-	20 (0.79)	20 (0.79)	8 (0.31)	3.3~5.0	0.59~0.84	0.017~0.024	0.110~0.235	2.79~5.97	12~18	16
AGB2218	-	26 (1.02)	24 (0.94)	18 (0.71)	5.0	0.68	0.019	0.166	4.21	29	17
AGB2235	-	26 (1.02)	24 (0.94)	35 (1.38)	5.0	1.20	0.003	0.122	3.10	40	18
AGB304	-	30 (1.18)	30 (1.18)	4 (0.16)	3.3~5.0	0.57~0.87	0.016~0.025	0.115~0.263	2.91~6.67	28~36	19
AGB304H	-	30 (1.18)	30 (1.18)	4 (0.16)	3.3~5.0	0.87~1.15	0.025~0.033	0.263~0.484	6.67~12.29	26~33	20
AGB454	-	45 (1.77)	45 (1.77)	4 (0.16)	3.3~5.0	1.04~1.42	0.029~0.040	0.223~0.406	5.66~10.30	21~30	21



TRADITIONAL FAN TECHNOLOGY

Traditional fans and blowers have silicon steel stack motors with radial air-gaps that are PERPENDICULAR to their axis. This makes miniaturization difficult.

Traditional Fan Characteristics

High Profile

Limited energy efficiency

Current loss caused by silicon steel stack

Higher startup voltage ($> 2.5V$)

Ingress Protection: IP55

Higher power loss at high temperatures

Complex production process

VS

AXIAL AIR-GAP TECHNOLOGY

AG Series Micro Fans and Blowers operate without silicon steel stack motors and have axial air-gaps that are PARALLEL to their axis. This makes them ideal miniature cooling devices.

Axial Air-Gap Characteristics

Low Profile

Energy efficient (power savings 20%~40%)

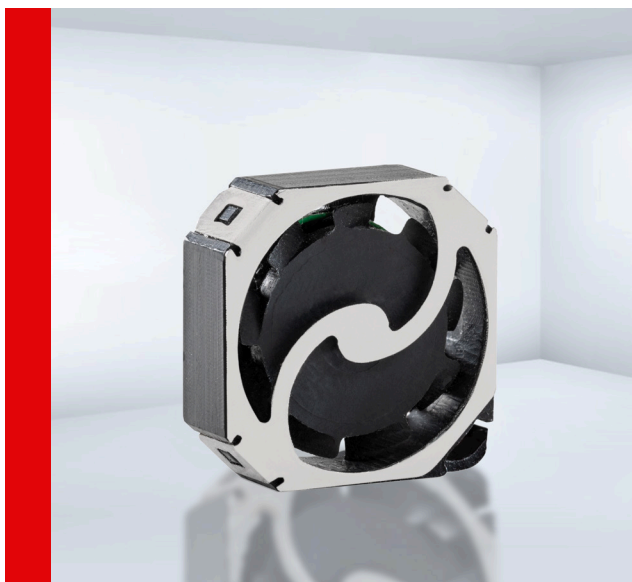
No silicon steel stack (no current loss)

Lower startup voltage ($< 2.5V$)

Ingress Protection: IP58

No power loss at high temperatures

Highly modularized production process



AGA135

AG SERIES MICRO FAN

13 x 13 x 5mm

(0.51 x 0.51 x 0.20in)

3.0V~3.3V

Axially Grooved Bearing

0.15~0.16 CFM (0.004~0.005 m³/min)

Lead Wires: UL10064, 32 AWG, 55mm

Operating Temperature: -10°C ~ +60°C

Operating life: 20,000 hours @45°C

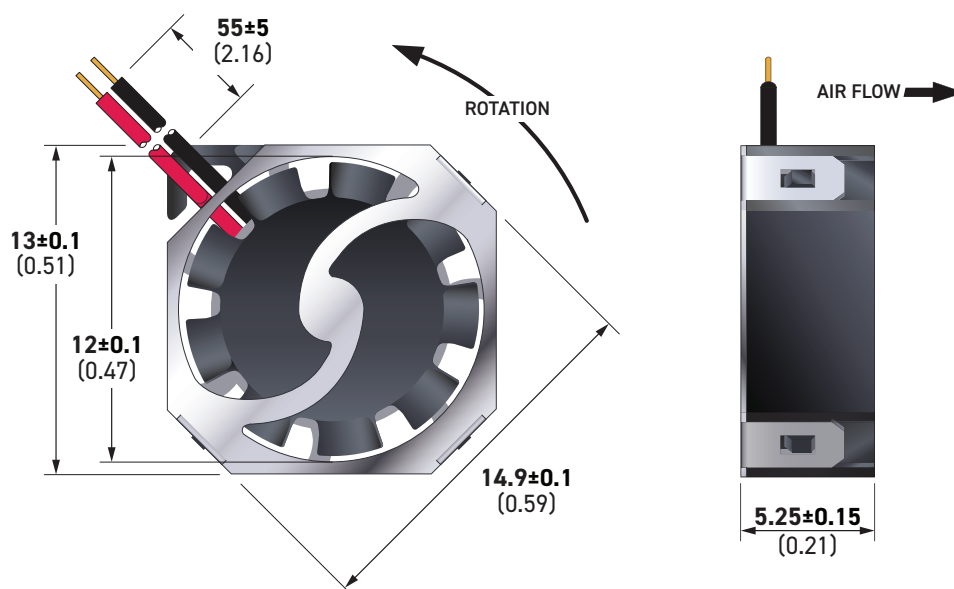
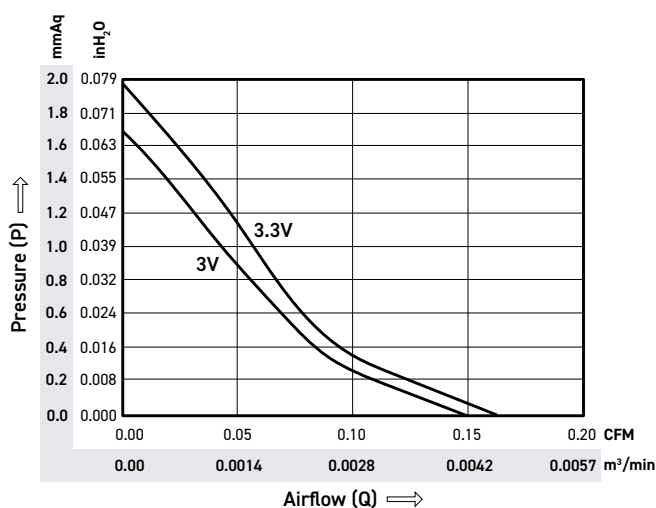
Locked Rotor, Auto Restart, & Polarity Protection

Frequency Generator (Tachometer) - optional

IP58 Dust & Moisture Protection

CE, RoHS Compliant

Model Number	V	Range (V)	mA	RPM	CFM	m ³ /min	inH ₂ O	mmAq	dBA
AGA135	3.0	2.5~3.6	32	15000	0.15	0.004	0.067	1.70	15.2
	3.3		34	16000	0.16	0.005	0.078	1.98	15.7





AGA154

AG SERIES MICRO FAN

15 x 15 x 4mm

(0.59 x 0.59 x 0.16in)

3.3V~5.0V

Axially Grooved Bearing

0.30~0.40 CFM (0.009~0.011 m³/min)

Lead Wires: UL1571, 32 AWG, 60mm

Operating Temperature: -10°C ~ +60°C

Operating life: 20,000 hours @45°C

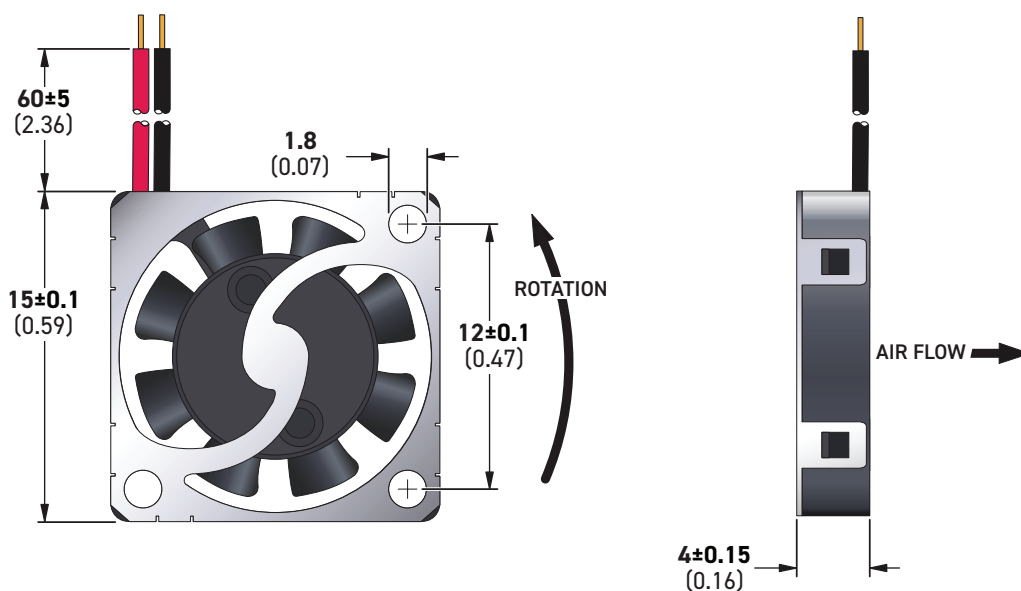
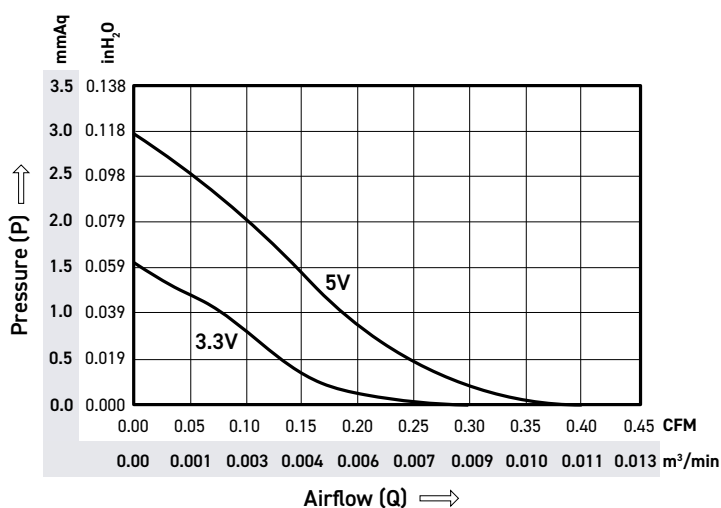
Locked Rotor, Auto Restart, & Polarity Protection

Frequency Generator (Tachometer) - optional

IP58 Dust & Moisture Protection

CE, RoHS Compliant

Model Number	V	Range (V)	mA	RPM	CFM	m ³ /min	inH ₂ O	mmAq	dBA
AGA154	3.3	2.8~3.6	30	10000	0.30	0.009	0.059	1.50	25
	5.0	4.5~5.5	42	16000	0.40	0.011	0.110	2.80	<35





AGA154U

AG SERIES MICRO FAN

15 x 15 x 4mm

(0.59 x 0.59 x 0.16in)

2.4V

Axially Grooved Bearing

0.12 CFM (0.003 m³/min)

Lead Wires: UL1571, 32 AWG, 60mm

Operating Temperature: -10°C ~ +60°C

Operating life: 20,000 hours @45°C

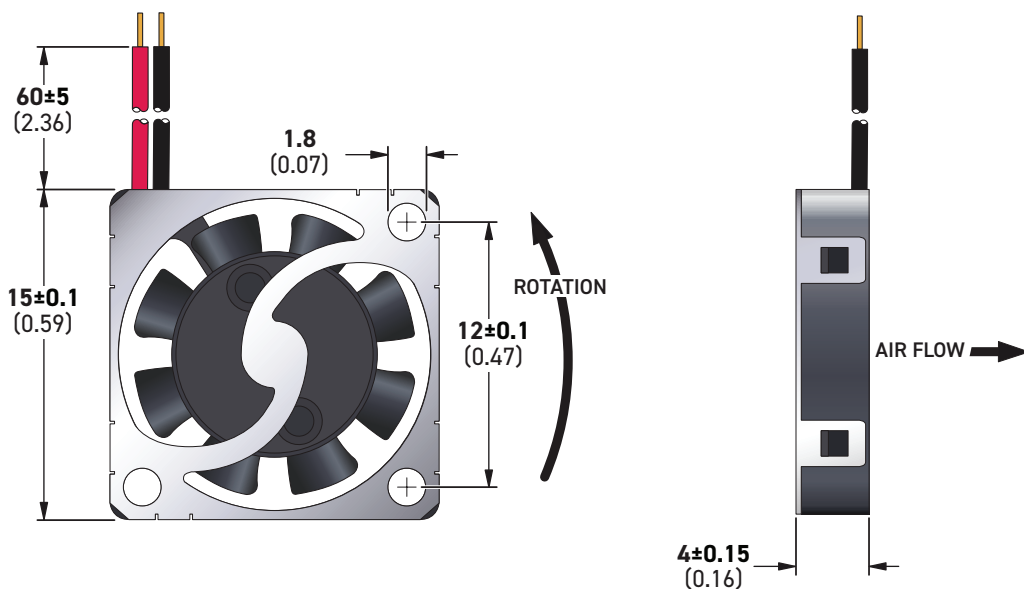
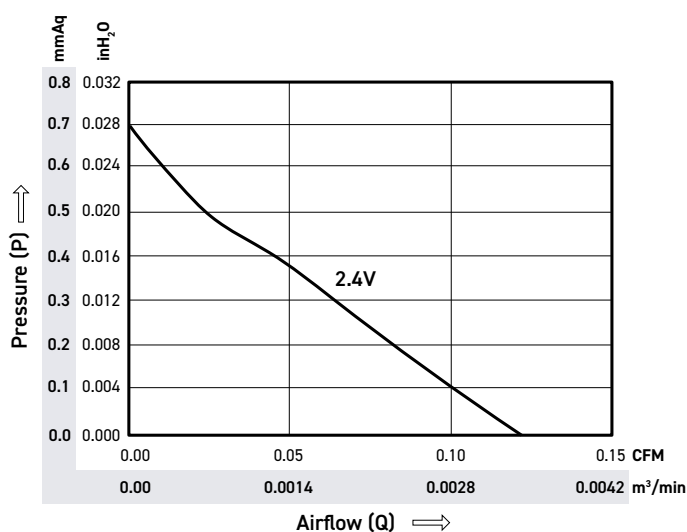
Locked Rotor, Auto Restart, & Polarity Protection

Frequency Generator (Tachometer) - optional

IP58 Dust & Moisture Protection

CE, RoHS Compliant

Model Number	V	Range (V)	mA	RPM	CFM	m ³ /min	inH ₂ O	mmAq	dBA
AGA154U	2.4	2.4~3.3	11	7500	0.12	0.003	0.027	0.69	14.6





AGA178

AG SERIES MICRO FAN

17 x 17 x 8mm

(0.67 x 0.67 x 0.31in)

3.3V~5.0V

Axially Grooved Bearing

0.67~0.95 CFM (0.019~0.027 m³/min)

Lead Wires: UL1571, 32 AWG, 60mm

Operating Temperature: -10°C ~ +60°C

Operating life: 20,000 hours @45°C

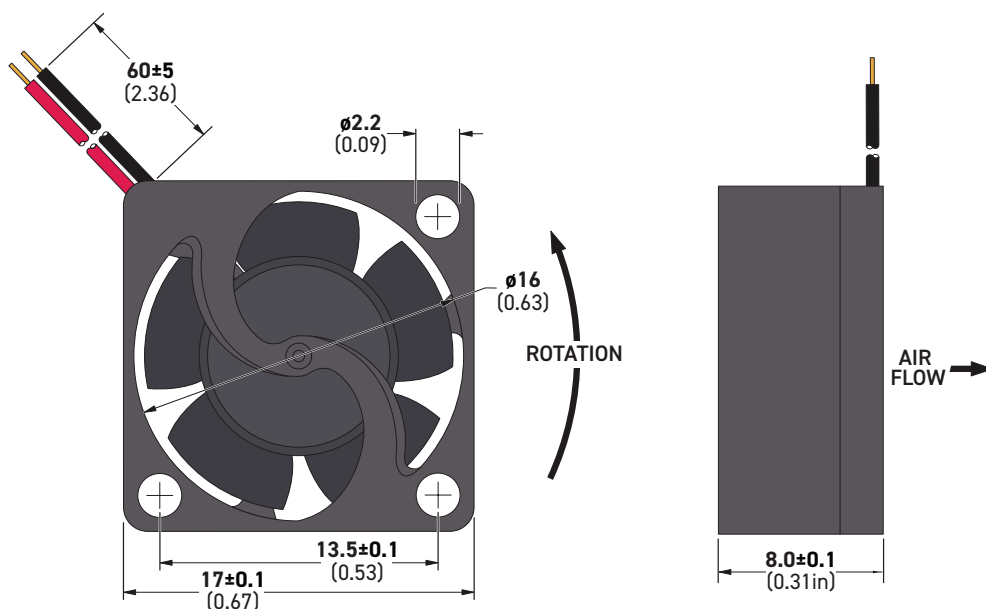
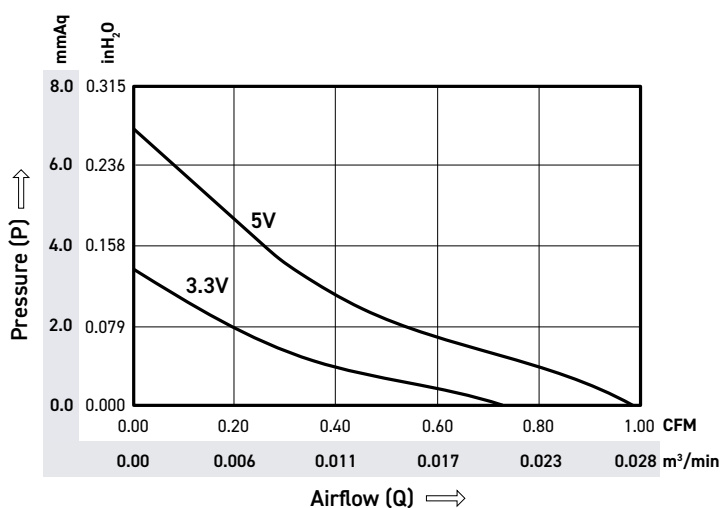
Locked Rotor, Auto Restart, & Polarity Protection

Frequency Generator (Tachometer) - optional

IP58 Dust & Moisture Protection

CE, RoHS Compliant

Model Number	V	Range (V)	mA	RPM	CFM	m ³ /min	inH ₂ O	mmAq	dBA
AGA178	3.3	2.8~5.5	55	12000	0.67	0.019	0.134	3.42	12
	5.0		85	16000	0.95	0.027	0.270	6.86	18





AGA184

AG SERIES MICRO FAN

18 x 18 x 4mm

(0.70 x 0.70 x 0.16in)

3.3V~5.0V

Axially Grooved Bearing

0.65~0.90 CFM (0.018~0.026 m³/min)

Lead Wires: UL1571, 32 AWG, 60mm

Operating Temperature: -10°C ~ +60°C

Operating life: 20,000 hours @45°C

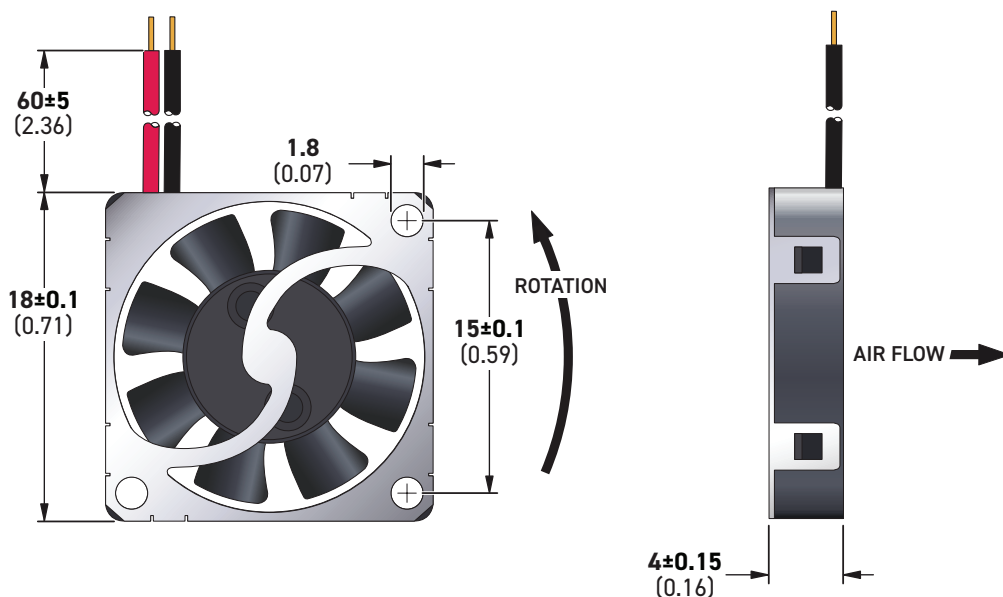
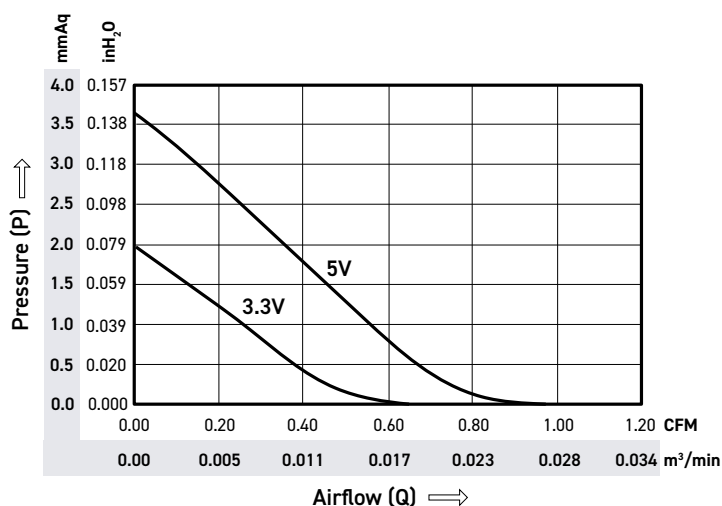
Locked Rotor, Auto Restart, & Polarity Protection

Frequency Generator (Tachometer) - optional

IP58 Dust & Moisture Protection

CE, RoHS Compliant

Model Number	V	Range (V)	mA	RPM	CFM	m ³ /min	inH ₂ O	mmAq	dBA
AGA184	3.3	2.8~3.6	32	8500	0.65	0.018	0.077	1.95	25
	5.0	4.5~5.5	45	13000	0.90	0.026	0.138	3.50	<35





AGA308

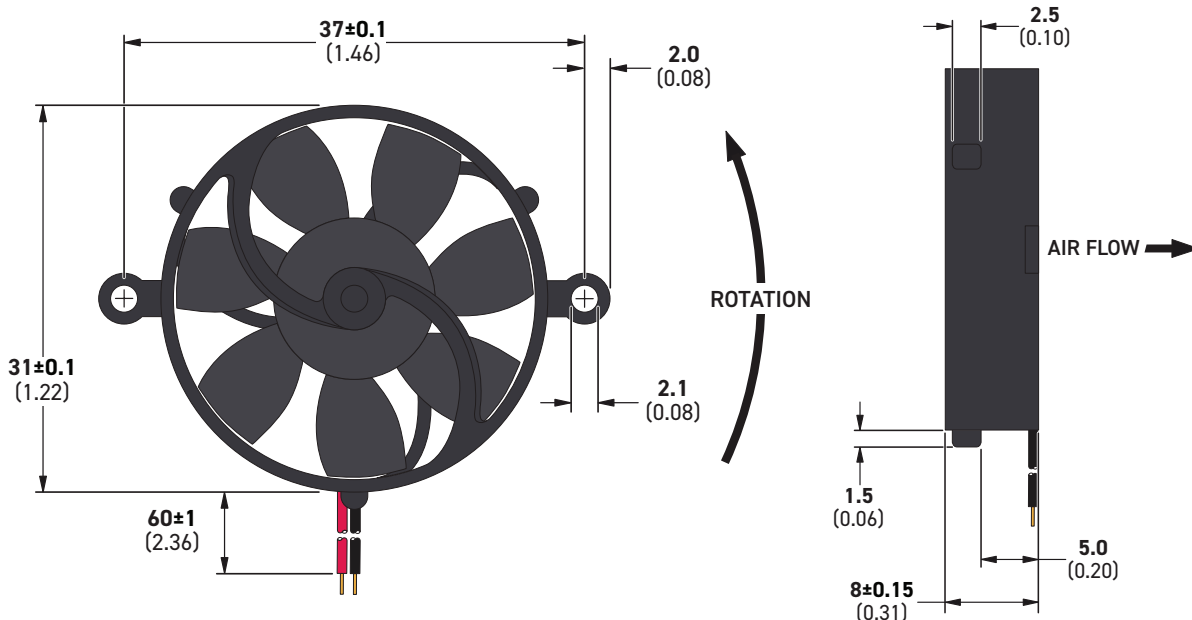
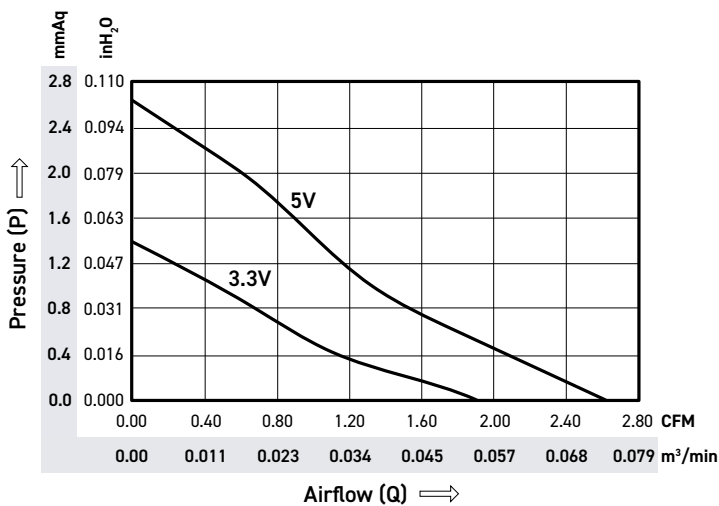
AG SERIES MICRO FAN

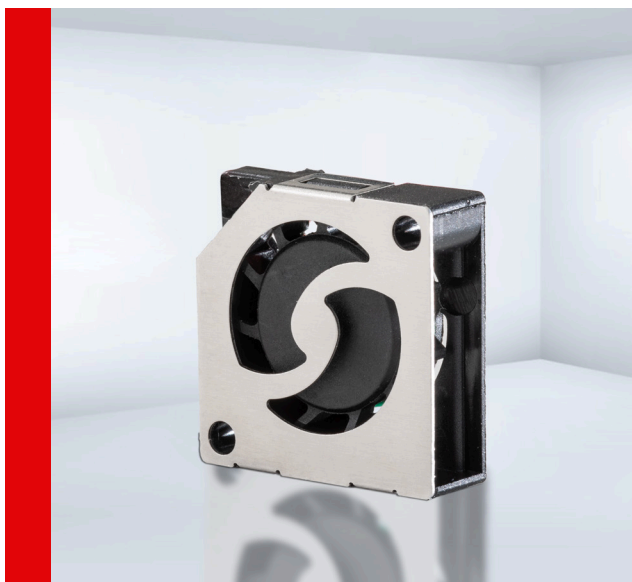
30 x 8mm

(1.18 x 0.31in)

- 3.3V~5.0V
- Axially Grooved Bearing
- 1.89~2.60 CFM (0.054~0.074 m³/min)
- Lead Wires: UL1571, 32 AWG, 60mm
- Operating Temperature: -10°C ~ +60°C
- Operating life: 20,000 hours @45°C
- Locked Rotor, Auto Restart, & Polarity Protection
- Frequency Generator (Tachometer) - optional
- IP58 Dust & Moisture Protection
- CE, RoHS Compliant

Model Number	V	Range (V)	mA	RPM	CFM	m ³ /min	inH ₂ O	mmAq	dBA
AGA308	3.3	2.8~5.5	45	4500	1.89	0.054	0.054	1.38	17
	5.0		65	6200	2.60	0.074	0.103	2.62	22





AGB154

AG SERIES MICRO BLOWER

15 x 15 x 4mm

(0.59 x 0.59 x 0.16in)

3.0V~3.3V

Axially Grooved Bearing

0.18~0.19 CFM (0.005 m³/min)

Lead Wires: UL1571, 30 AWG, 55mm

Operating Temperature: -10°C ~ +60°C

Operating life: 20,000 hours @45°C

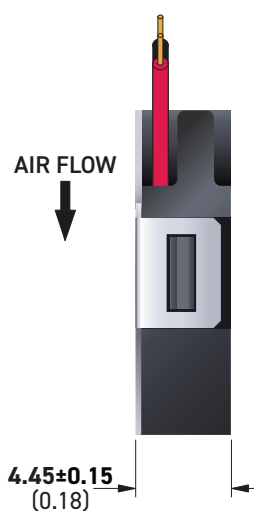
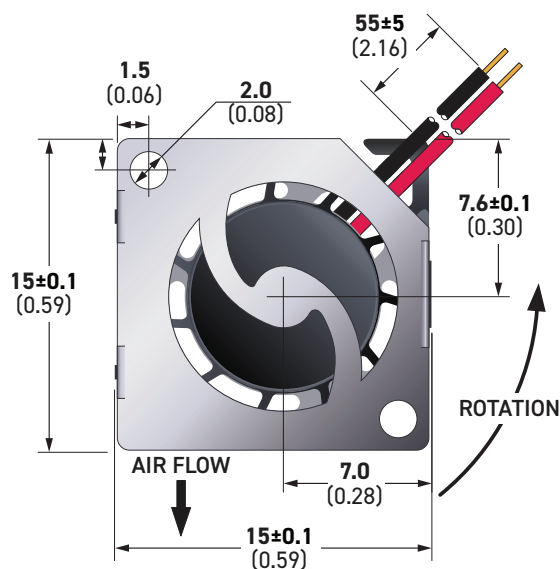
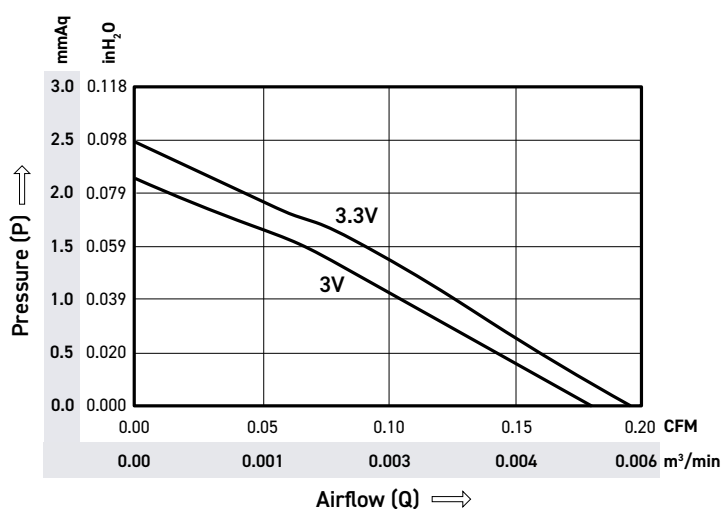
Locked Rotor, Auto Restart, & Polarity Protection

Frequency Generator (Tachometer) - optional

IP58 Dust & Moisture Protection

CE, RoHS Compliant

Model Number	V	Range (V)	mA	RPM	CFM	m ³ /min	inH ₂ O	mmAq	dBA
AGB154	3.0	2.5 ~ 3.6	32	13500	0.18	0.005	0.084	2.12	17.1
	3.3		35	14500	0.19	0.005	0.097	2.47	18.6





AGB184

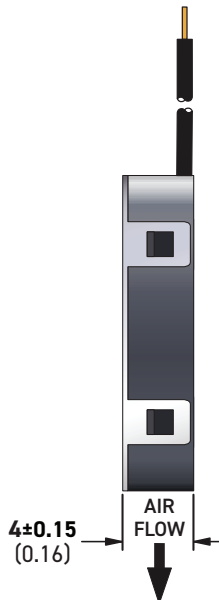
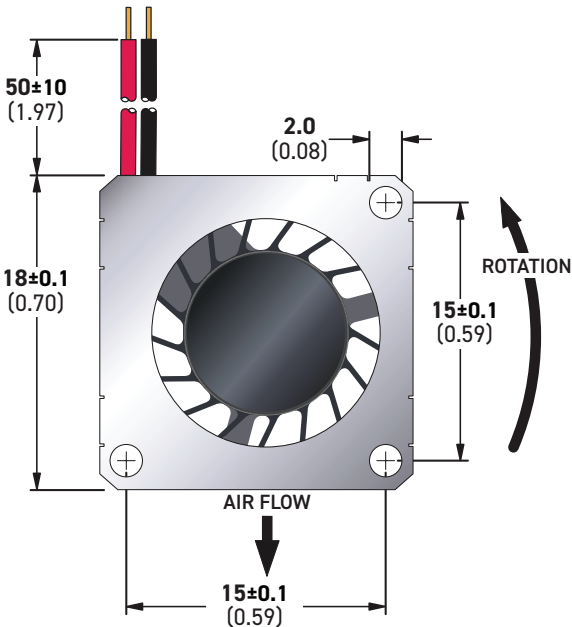
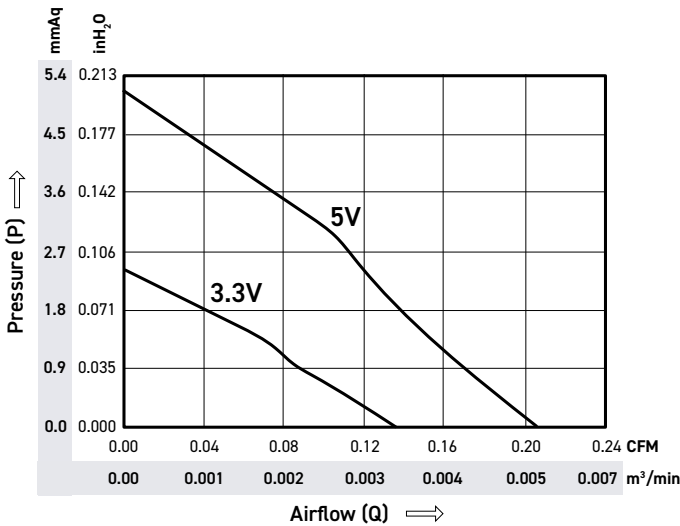
AG SERIES MICRO BLOWER

18 x 18 x 4mm

(0.70 x 0.70 x 0.16in)

- 3.3V~5.0V
- Axially Grooved Bearing
- 0.14~0.20 CFM (0.004~0.006 m³/min)
- Lead Wires: UL1571, 32 AWG, 50mm
- Operating Temperature: -10°C ~ +60°C
- Operating life: 20,000 hours @45°C
- Locked Rotor, Auto Restart, & Polarity Protection
- Frequency Generator (Tachometer) - optional
- IP58 Dust & Moisture Protection
- CE, RoHS Compliant

Model Number	V	Range (V)	mA	RPM	CFM	m ³ /min	inH ₂ O	mmAq	dBA
AGB184	3.3	2.8~5.5	30	7000	0.14	0.004	0.096	2.44	25
	5.0		45	11000	0.20	0.006	0.203	5.16	<35





AGB204

AG SERIES MICRO BLOWER

20 x 20 x 4mm

(0.79 x 0.79 x 0.16in)

3.3V~5.0V

Axially Grooved Bearing

0.27~0.38 CFM (0.008~0.011 m³/min)

Lead Wires: UL1571, 30 AWG, 50mm

Operating Temperature: -10°C ~ +60°C

Operating life: 20,000 hours @45°C

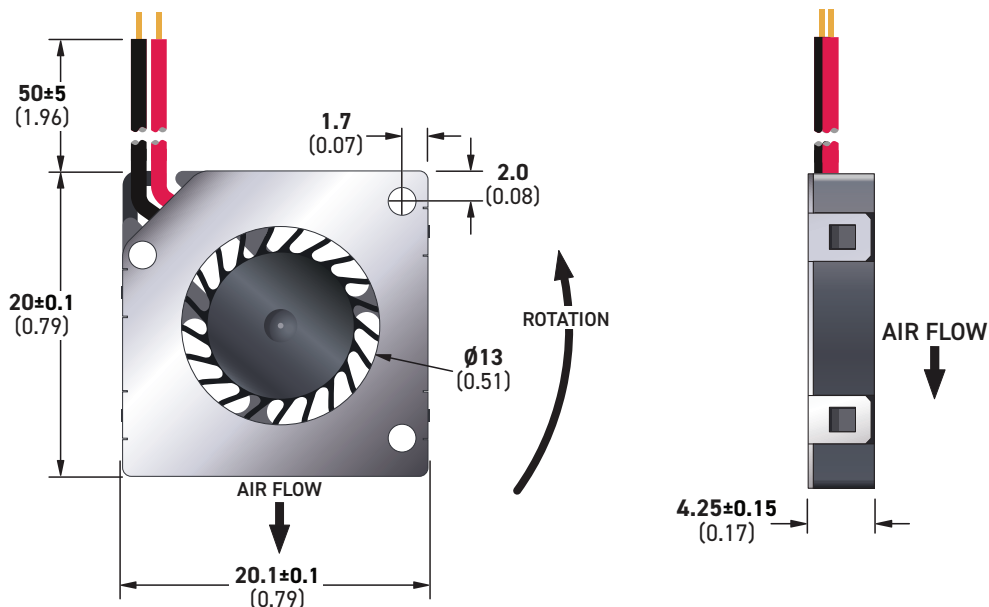
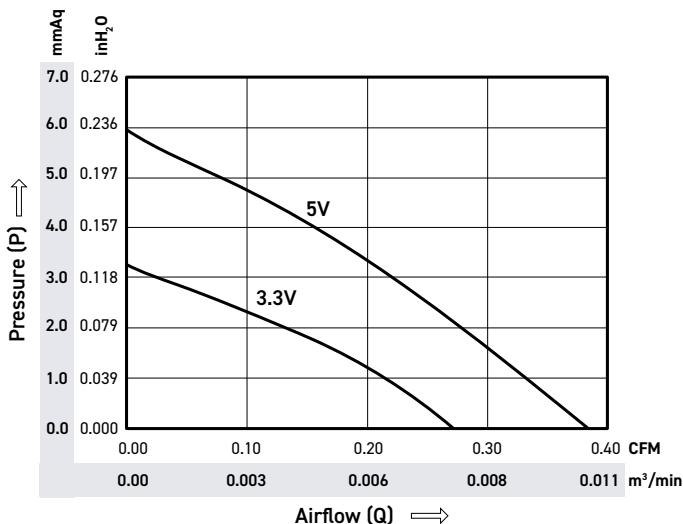
Locked Rotor, Auto Restart, & Polarity Protection

Frequency Generator (Tachometer) - optional

IP58 Dust & Moisture Protection

CE, RoHS Compliant

Model Number	V	Range (V)	mA	RPM	CFM	m ³ /min	inH ₂ O	mmAq	dBA
AGB204	3.3	2.5~3.6	37	9000	0.27	0.008	0.126	3.21	15.1
	5.0	4.5~5.5	57	11500	0.38	0.011	0.235	5.96	19.6





AGB208

AG SERIES MICRO BLOWER

26 x 20 x 8mm

(1.02 x 0.79 x 0.31in)

3.3V~5.0V

Axially Grooved Bearing

0.38~0.57 CFM (0.011~0.016 m³/min)

Lead Wires: UL1571, 32 AWG, 60mm

Operating Temperature: -10°C ~ +60°C

Operating life: 20,000 hours @45°C

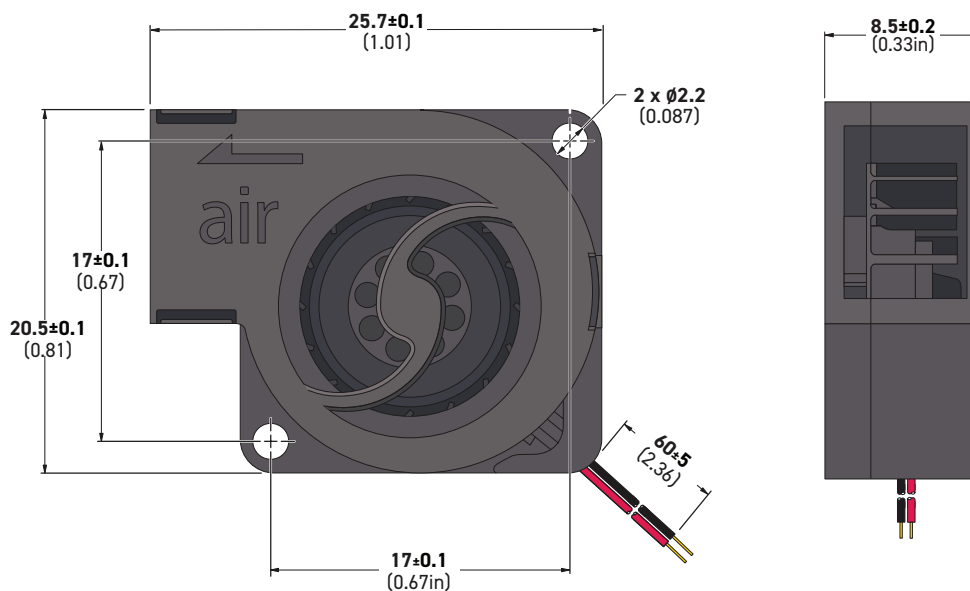
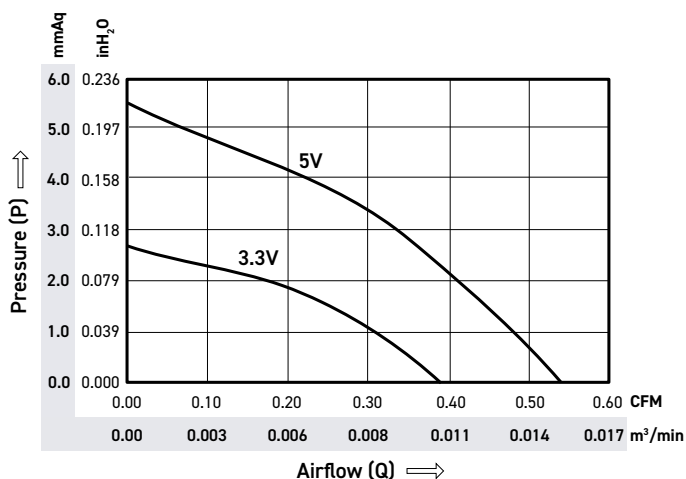
Locked Rotor, Auto Restart, & Polarity Protection

Frequency Generator (Tachometer) - optional

IP58 Dust & Moisture Protection

CE, RoHS Compliant

Model Number	V	Range (V)	mA	RPM	CFM	m ³ /min	inH ₂ O	mmAq	dBA
AGB208	3.3	2.8~5.5	40	7000	0.38	0.011	0.084	2.14	25
	5.0		60	9000	0.57	0.016	0.186	4.73	<35





AGB208NL

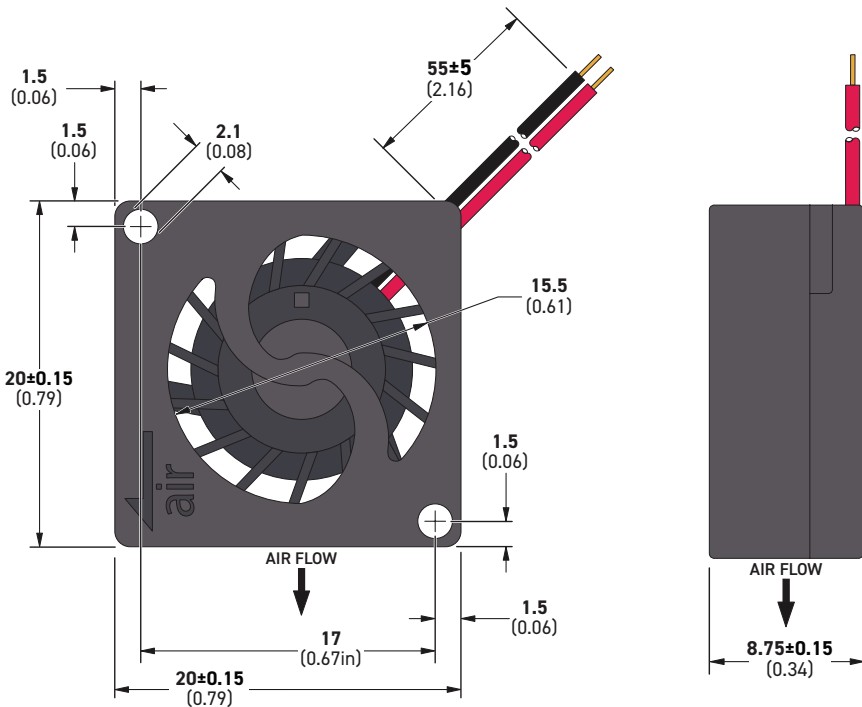
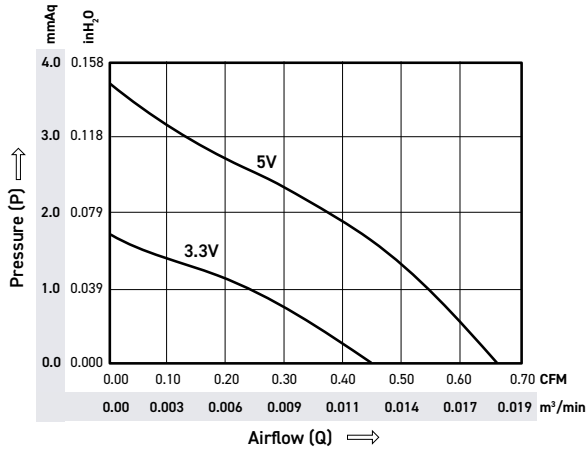
LOW NOISE
AG SERIES MICRO BLOWER

20 x 20 x 8mm

(0.79 x 0.79 x 0.31in)

- 3.3V~5.0V
- Axially Grooved Bearing
- 0.45~0.66 CFM (0.013~0.019 m³/min)
- Lead Wires: UL1571, 32 AWG, 55mm
- Operating Temperature: -10°C ~ +60°C
- Operating life: 20,000 hours @45°C
- Locked Rotor, Auto Restart, & Polarity Protection
- Frequency Generator (Tachometer) - optional
- IP58 Dust & Moisture Protection
- CE, RoHS Compliant

Model Number	V	Range (V)	mA	RPM	CFM	m ³ /min	inH ₂ O	mmAq	dBA
AGB208NL	3.3	2.8~5.5	55	7500	0.45	0.013	0.067	1.71	10
	5.0		75	11000	0.66	0.019	0.146	3.70	14





AGB208N

AG SERIES MICRO BLOWER

20 x 20 x 8mm

(0.79 x 0.79 x 0.31in)

3.3V~5.0V

Axially Grooved Bearing

0.59~0.84 CFM (0.017~0.024 m³/min)

Lead Wires: UL1571, 32 AWG, 55mm

Operating Temperature: -10°C ~ +60°C

Operating life: 20,000 hours @45°C

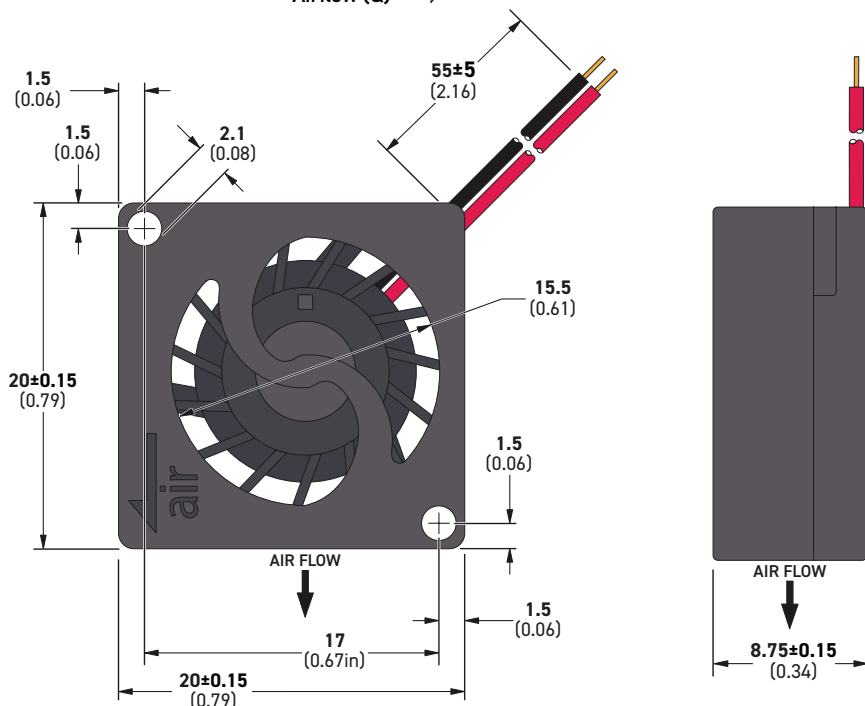
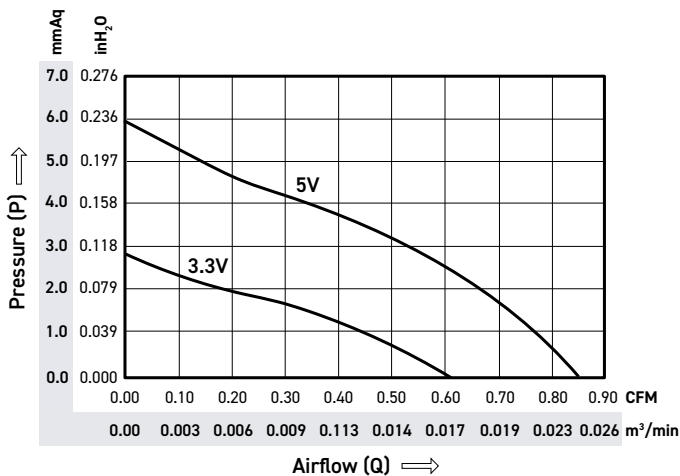
Locked Rotor, Auto Restart, & Polarity Protection

Frequency Generator (Tachometer) - optional

IP58 Dust & Moisture Protection

CE, RoHS Compliant

Model Number	V	Range (V)	mA	RPM	CFM	m³/min	inH ₂ O	mmAq	dBA
AGB208N	3.3	2.8~5.5	95	9500	0.59	0.017	0.110	2.79	12
	5.0		130	14000	0.84	0.024	0.235	5.97	18





AGB2218

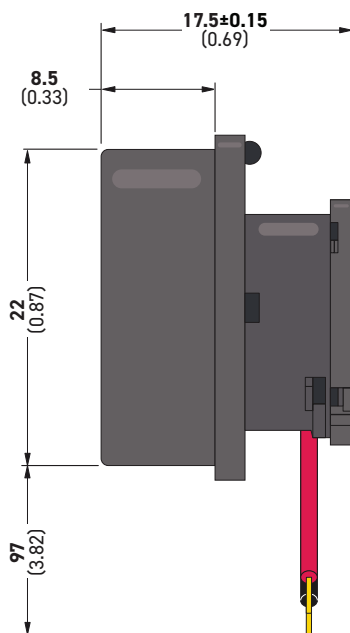
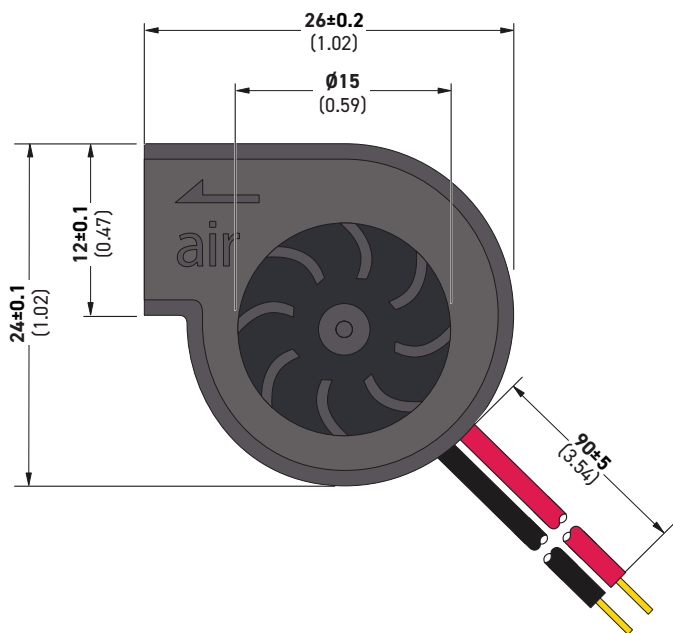
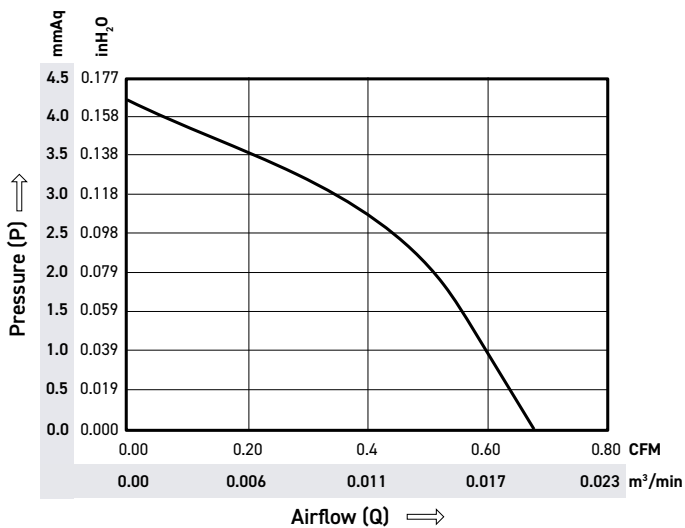
AG SERIES MICRO BLOWER

26 x 24 x 18mm

(1.02 x 0.94 x 0.71in)

- 5.0V
- Axially Grooved Bearing
- 0.68 CFM (0.019 m³/min)
- Lead Wires: UL1007, 28 AWG, 90mm
- Operating Temperature: -10°C ~ +60°C
- Operating life: 20,000 hours @45°C
- Locked Rotor, Auto Restart, & Polarity Protection
- Frequency Generator (Tachometer) - optional
- IP58 Dust & Moisture Protection
- CE, RoHS Compliant

Model Number	V	Range (V)	mA	RPM	CFM	m ³ /min	inH ₂ O	mmAq	dBA
AGB2218	5.0	4.5~5.5	78	10000	0.68	0.019	0.166	4.21	29.4





AGB2235

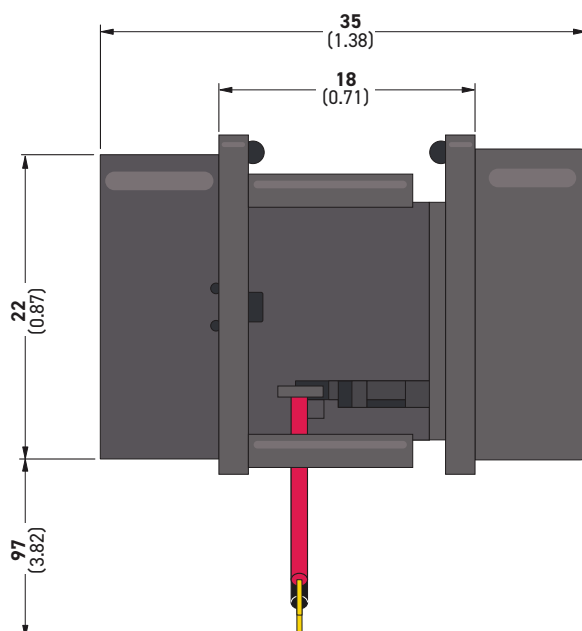
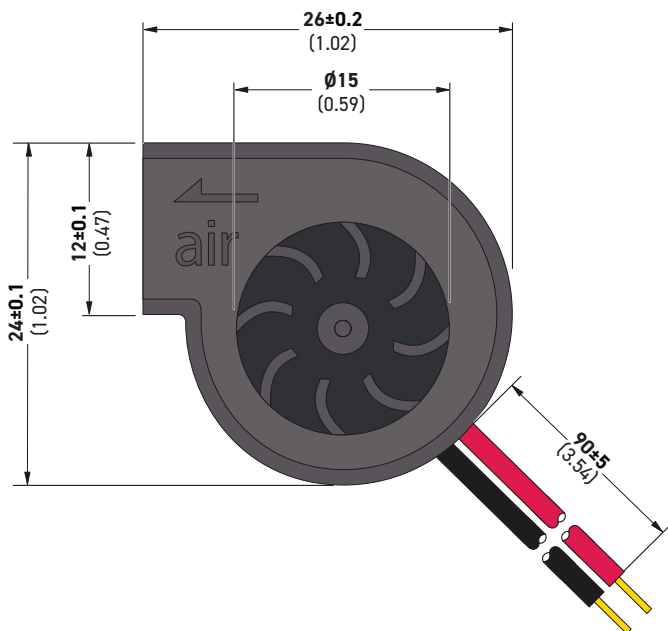
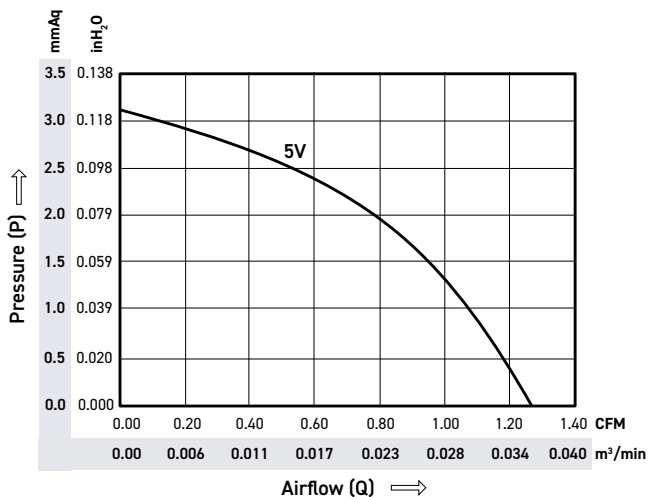
DUAL
AG SERIES MICRO BLOWER

26 x 24 x 35mm

(1.02 x 0.94 x 1.38in)

- 5.0V
- Axially Grooved Bearing
- 1.20 CFM (0.003 m³/min)
- Lead Wires: UL1571, 32 AWG, 50mm
- Operating Temperature: -10°C ~ +60°C
- Operating life: 20,000 hours @45°C
- Locked Rotor, Auto Restart, & Polarity Protection
- Frequency Generator (Tachometer) - optional
- IP58 Dust & Moisture Protection
- CE, RoHS Compliant

Model Number	V	Range (V)	mA	RPM	CFM	m ³ /min	inH ₂ O	mmAq	dBA
AGB2235	5.0	4.5~5.5	80	8500	1.20	0.003	0.122	3.10	40





AGB304

AG SERIES MICRO BLOWER

30 x 30 x 4mm

(1.18 x 1.18 x 0.16in)

3.3V~5.0V

Axially Grooved Bearing

0.57~0.87 CFM (0.016~0.025 m³/min)

Lead Wires: UL1571, 32 AWG, 50mm

Operating Temperature: -10°C ~ +60°C

Operating life: 20,000 hours @45°C

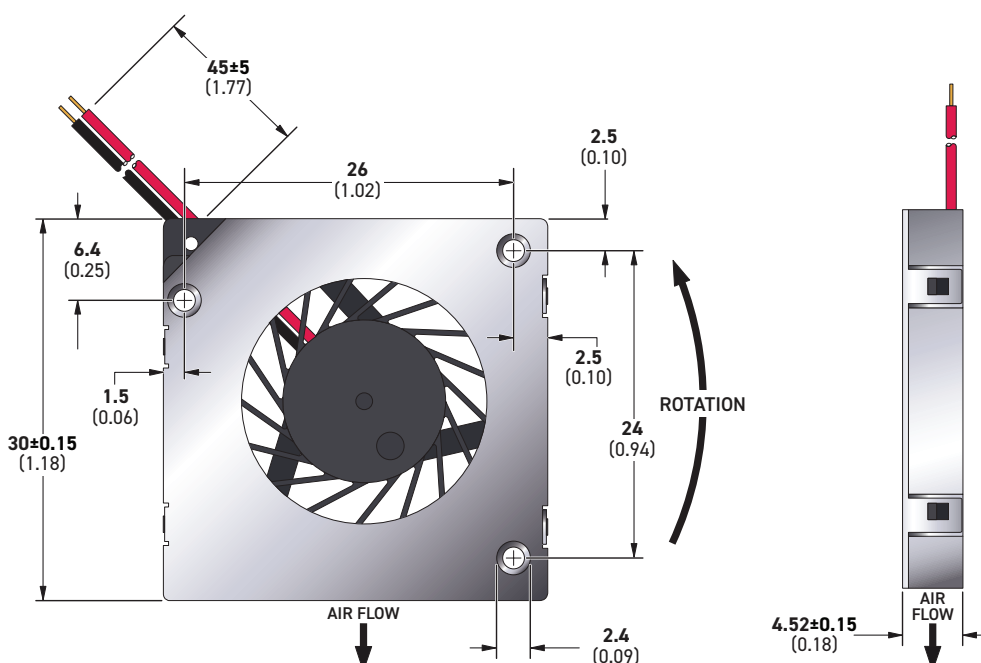
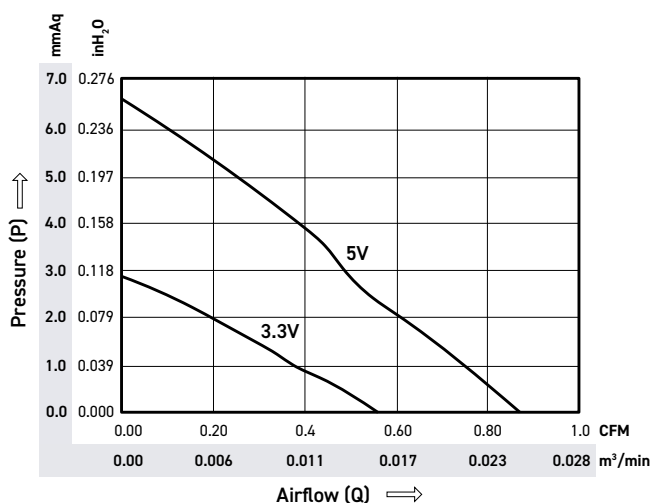
Locked Rotor, Auto Restart, & Polarity Protection

Frequency Generator (Tachometer) - optional

IP58 Dust & Moisture Protection

CE, RoHS Compliant

Model Number	V	Range (V)	mA	RPM	CFM	m ³ /min	inH ₂ O	mmAq	dBA
AGB304	3.3	2.8~3.6	50	6000	0.57	0.016	0.115	2.91	28
	5.0	4.5~5.5	75	8500	0.87	0.025	0.263	6.67	36





AGB304H

HIGH SPEED
AG SERIES MICRO BLOWER

30 x 30 x 4mm

(1.18 x 1.18 x 0.16in)

3.3V~5.0V

Axially Grooved Bearing

0.87~1.15 CFM (0.025~0.033 m³/min)

Lead Wires: UL1571, 32 AWG, 50mm

Operating Temperature: -10°C ~ +60°C

Operating life: 20,000 hours @45°C

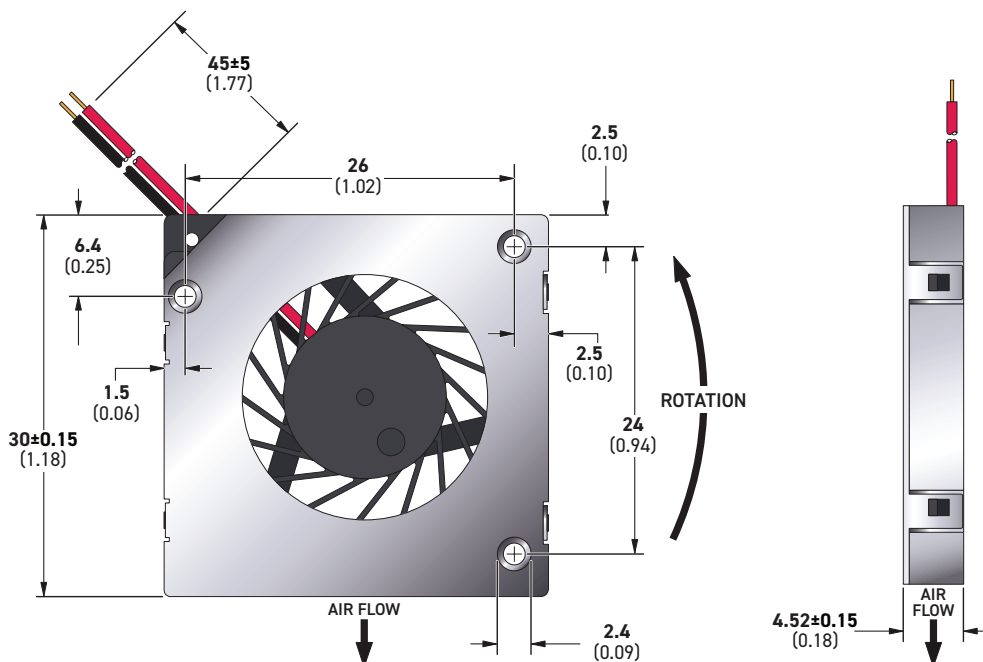
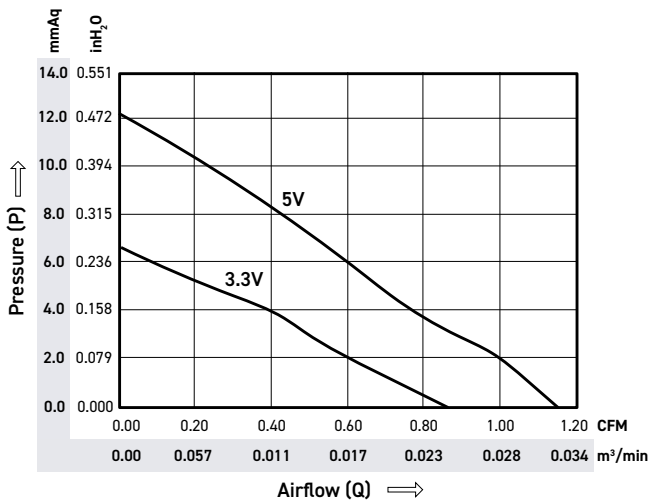
Locked Rotor, Auto Restart, & Polarity Protection

Frequency Generator (Tachometer) - optional

IP58 Dust & Moisture Protection

CE, RoHS Compliant

Model Number	V	Range (V)	mA	RPM	CFM	m ³ /min	inH ₂ O	mmAq	dBA
AGB304H	3.3	2.8~5.5	90	8500	0.87	0.025	0.263	6.67	25.9
	5.0		140	11000	1.15	0.033	0.484	12.29	32.6





AGB454

AG SERIES MICRO BLOWER

45 x 45 x 4mm

(1.77 x 1.77 x 0.16in)

3.3V~5.0V

Axially Grooved Bearing

1.04~1.42 CFM (0.029~0.040 m³/min)

Lead Wires: UL1571, 30 AWG, 40mm

Operating Temperature: -10°C ~ +60°C

Operating life: 20,000 hours @45°C

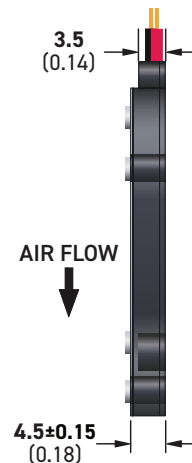
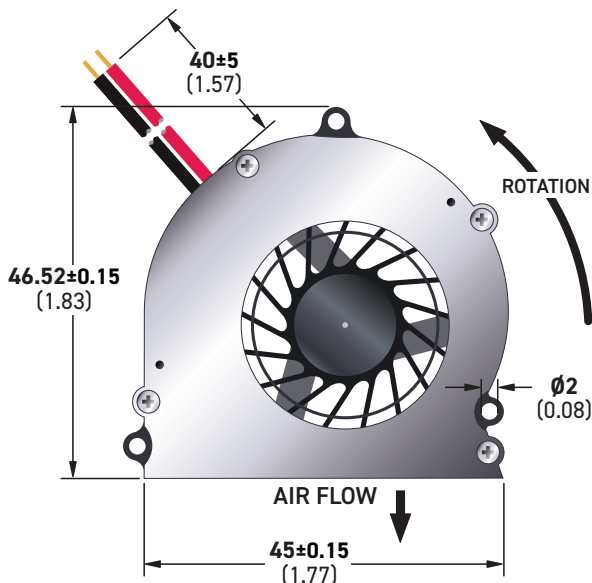
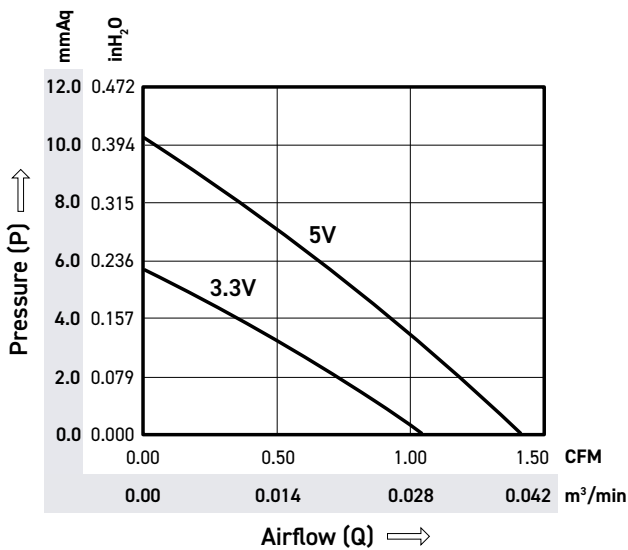
Locked Rotor, Auto Restart, & Polarity Protection

Frequency Generator (Tachometer) - optional

IP58 Dust & Moisture Protection

CE, RoHS Compliant

Model Number	V	Range (V)	mA	RPM	CFM	m ³ /min	inH ₂ O	mmAq	dBA
AGB454	3.3	2.8~3.6	95	4500	1.04	0.029	0.223	5.66	21.2
	5.0	4.5~5.5	145	6000	1.42	0.040	0.406	10.3	30.0



TECHNICAL SPECIFICATIONS



Model Number	AGA135		AGA154		AGA154U		AGA178	
Product Name	Micro Fan		Micro Fan		Micro Fan		Micro Fan	
Dimensions (mm)	13 x 13 x 5		15 x 15 x 4		15 x 15 x 4		17 x 17 x 8	
Dimensions (in)	0.51 x 0.51 x 0.20		0.59 x 0.59 x 0.16		0.59 x 0.59 x 0.16		0.67 x 0.67 x 0.31	
Rated Voltage (VDC)	3.0	3.3	3.3	5.0	2.4		3.3	5.0
Operating Voltage (VDC)	2.5~3.6		2.8~3.6	4.5~5.5	2.4~3.3		2.8~5.5	
Rated Current (mA)	32	34	30	42	11		55	85
Speed (RPM)	15000	16000	10000	16000	7500		12000	16000
Airflow (CFM)	0.15	0.16	0.30	0.40	0.12		0.67	0.95
Airflow (m ³ /min)	0.004	0.005	0.009	0.011	0.003		0.019	0.027
Static Pressure (inH ₂ O)	0.067	0.078	0.059	0.110	0.027		0.134	0.270
Static Pressure (mmAq)	1.70	1.98	1.50	2.80	0.69		3.42	6.86
Noise (dBA)	15.2	15.7	25	<35	14.6		12	18
Operating Temperature	-10°C ~ +60°C							
Operating Life	20,000 hrs @45°C							
Dust & Moisture Protection	IP58							
Weight (g)	1.1		1.5		1.3		2.2	



Model Number	AGA184		AGA308		AGB154		AGB184	
Product Name	Micro Fan		Micro Fan		Micro Blower		Micro Blower	
Dimensions (mm)	18 x 18 x 4		30 x 8		15 x 15 x 4		18 x 18 x 4	
Dimensions (in)	0.70 x 0.70 x 0.16		1.18 x 0.31		0.59 x 0.59 x 0.16		0.70 x 0.70 x 0.16	
Rated Voltage (VDC)	3.3	5.0	3.3	5.0	3.0	3.3	3.3	5.0
Operating Voltage (VDC)	2.8~3.6	4.5~5.5	2.8~5.5		2.5~3.6		2.8~5.5	
Rated Current (mA)	32	45	45	65	32	35	30	45
Speed (RPM)	8500	13000	4500	6200	13500	14500	7000	11000
Airflow (CFM)	0.65	0.90	1.89	2.60	0.18	0.19	0.14	0.20
Airflow (m ³ /min)	0.018	0.026	0.054	0.074	0.005	0.005	0.004	0.006
Static Pressure (inH ₂ O)	0.077	0.138	0.054	0.103	0.084	0.097	2.44	5.16
Static Pressure (mmAq)	1.95	3.50	1.38	2.62	2.12	2.47	0.096	0.203
Noise (dBA)	25	<35	17	22	17.1	18.8	25	<35
Operating Temperature	-10°C ~ +60°C							
Operating Life	20,000 hrs @45°C							
Dust & Moisture Protection	IP58							
Weight (g)	1.7		3.6		1.38		1.8	

TECHNICAL SPECIFICATIONS



Model Number	AGB204		AGB208		AGB208NL/N		AGB2218	
Product Name	Micro Blower		Micro Blower		Micro Blower		Micro Blower	
Dimensions (mm)	20 x 20 x 4		26 x 20 x 8		20 x 20 x 8		26 x 24 x 18	
Dimensions (in)	0.79 x 0.79 x 0.16		1.02 x 0.79 x 0.31		0.79 x 0.79 x 0.31		1.02 x 0.94 x 0.71	
Rated Voltage (VDC)	3.3	5.0	3.3	5.0	3.3	5.0	5.0	
Operating Voltage (VDC)	2.5~3.6	4.5~5.5	2.8~5.5		2.8~5.5		4.5~5.5	
Rated Current (mA)	37	57	40	60	55/95	75/130	78	
Speed (RPM)	9000	11500	7000	9000	7500/9500	11000/14000	10000	
Airflow (CFM)	0.27	0.38	0.38	0.57	0.45/0.59	0.66/0.84	0.68	
Airflow (m ³ /min)	0.008	0.011	0.011	0.016	0.013/0.017	0.019/0.024	0.019	
Static Pressure (inH ₂ O)	0.126	0.235	0.084	0.186	0.067/0.110	0.146/0.235	0.166	
Static Pressure (mmAq)	3.21	5.96	2.14	4.73	1.71/2.79	3.70/5.97	4.21	
Noise (dBA)	15.1	19.6	25	<35	10/12	14/18	29.4	
Operating Temperature	-10°C ~ +60°C							
Operating Life	20,000 hrs @45°C							
Dust & Moisture Protection	IP58							
Weight (g)	2.1		3.2		2.9		7.5	



Model Number	AGB2235		AGB304		AGB304H		AGB454	
Product Name	Micro Blower		Micro Blower		Micro Blower		Micro Blower	
Dimensions (mm)	26 x 24 x 35		30 x 30 x 4		30 x 30 x 4		45 x 45 x 4	
Dimensions (in)	1.02 x 0.94 x 1.38		1.18 x 1.18 x 0.16		1.18 x 1.18 x 0.16		1.77 x 1.77 x 0.16	
Rated Voltage (VDC)	5.0		3.3	5.0	3.3	5.0	3.3	5.0
Operating Voltage (VDC)	4.5~5.5		2.8~5.5		2.8~5.5		2.8~3.6	4.5~5.5
Rated Current (mA)	80		50	75	90	140	95	145
Speed (RPM)	8500		6000	8500	8500	11000	4500	6000
Airflow (CFM)	1.20		0.57	0.87	0.87	1.15	1.04	1.42
Airflow (m ³ /min)	0.003		0.016	0.025	0.025	0.033	0.029	0.040
Static Pressure (inH ₂ O)	0.122		0.115	0.263	0.263	0.484	0.223	0.406
Static Pressure (mmAq)	3.10		2.91	6.67	6.67	12.29	5.66	10.3
Noise (dBA)	40		28	36	25.9	32.6	21.2	30.0
Operating Temperature	-10°C ~ +60°C							
Operating Life	20,000 hrs @45°C							
Dust & Moisture Protection	IP58							
Weight (g)	12.0		4.6		4.6		7.83	

STATIC PRESSURE CONVERSION TABLE

Pa (=N/m ²)	mmH ₂ O = mmAq	inH ₂ O	Kgf/cm ²	bar
1	1.0197 x 10 ⁻¹	4.017 x 10 ⁻³	1.0197 x 10 ⁻⁵	1 x 10 ⁻⁵
9.80665	1	3.939 x 10 ⁻²	1 x 10 ⁻⁴	9.80665 x 10 ⁻⁵
1.3332 x 10 ²	1.3619 x 10	1	1.3595 x 10 ⁻³	1.3332 x 10 ⁻³
9.80665 x 10 ⁴	10 ⁴	3.937 x 10 ²	1	9.80665 x 10 ⁻¹
1 x 10 ⁵	1.0197 x 10 ⁴	4.018 x 10 ²	1.01972	1


AIR FLOW CONVERSION TABLE

m ³ /min	CFM	L/s	L/min
1	3.531 x 10	1.666 x 10	1 x 10 ³
2.831 x 10 ⁻²	1	4.720 x 10 ⁻¹	2.831 x 10
6 x 10 ⁻²	2.118	1	6 x 10
1 x 10 ⁻³	3.531 x 10 ⁻²	1.666 x 10 ²	1

FAHRENHEIT/CELSIUS/KELVIN CONVERSION TABLE

Fahrenheit to Celsius	Celsius to Fahrenheit	Celsius to Kelvin
$^{\circ}\text{C} = (5/9) * (^{\circ}\text{F}-32)$	$^{\circ}\text{F} = (^{\circ}\text{C} * (9/5)) + 32$	$\text{K} = ^{\circ}\text{C} + 273.15$

NOTES:



INNOVATION IN MOTION

PTI **PELONIS**
TECHNOLOGIES INC.

1.888.546.0524 | 1.610.594.6000 | SALES@PELONISTECH.COM | PELONISTECHNOLOGIES.COM